

		<h1>CLIQ 50i 125i EURO 4</h1>			
CULASSE + CYLINDRE	02	BRAS OSCILLIANT	21/22		
ACCESOIRES CULASSE	03	AMORTISSEUR ARRIERE	23		
SOUPAPES ET ARBRE A CAME	04	MOTEUR + EQUIPEMENT	24		
CARTER EMBRAYAGE	05	SELLE	25		
CARTER MOTEUR	06	RESERVOIR	26		
EMBRAYAGE	07	CADRE	27		
POMPE A HUILE	08	FAISCEAU ELECTRIQUE	28		
STATOR	09	CLIGNOTANT ARRIERE	29		
EMBIELLAGE	10	FOURCHE AVANT	30		
BOITE DE VITESSE	11	INJECTION	31		
DISTRIBUTION	12	FREIN AVANT	32		
AXE DE KICK COMPLET	13	CLIGNOTANT AVANT	33		
BARILLET DE SELECTION	14	FEU ARRIERE	34		
DEMARREUR	15	GARDE BOUE AVANT	35		
ECHAPPEMENT	16	JANTE AVANT	36		
OPTIQUE AVANT	17	JANTE ARRIERE	37		
GUIDON	18	KIT SERRURE	38		
PROTEGE CHAINE	19	GARDE BOUE ARRIERE	39		
REPOSE PIEDS + BEQUILLE	20	REPOSE PIEDS ARRIERE	40		



ECHAPPEMENT



numero	Reference TNT motor	Reference acsud	Designation
1-50		970888Q	ECHAPPEMENT COMPLET 50cc EURO 3
1-125		970888P	ECHAPPEMENT COMPLET 125cc EURO 3
1-50	ZH-CJL50-A-1	970912S	ECHAPPEMENT COMPLET 50cc EURO 4
1-125	ZH-CJL125-A-1	970912A	ECHAPPEMENT COMPLET 125cc EURO 4
2	ZH-CJL50/125-A-2		PATTE DE FIXATION
3	ZH-CJL50/125-A-3		ECROU
4	ZH-CJL50/125-A-4		ECROU
5	ZH-CJL50/125-A-5		VIS M8X30
6	ZH-CJL50/125-A-6	970912K	SONDE LAMBDA
7	ZH-CJL50/125-A-7		ECROU M6
8	ZH-CJL50/125-A-8	970911W	JOINT D'ECHAPPEMENT

OPTIQUE AVANT



numero	Reference TNT motor	Reference acsud	Designation
1-50	ZH-CJL50-B-1	970912W	COMPTEUR 50cc EURO 4
1-125	ZH-CJL125-B-1	970912G	COMPTEUR 125cc EURO 4
2	ZH-CJL50/125-B-2	970890P	CABLE DE COMPTEUR
3		970890E	OPTIQUE COMPLET EURO 4
4	ZH-CJL50/125-B-4 BLACK	970891A	CUVELAGE DE PHARE NOIR
4	ZH-CJL50/125-B-4 WHITE	970907W	CUVELAGE DE PHARE BLANC
4	ZH-CJL50/125-B-4 RED	970909O	CUVELAGE DE PHARE ROUGE
4	ZH-CJL50/125-B-4 ORANGE	970907X	CUVELAGE DE PHARE ORANGE
5	ZH-CJL50/125-B-5		VIS
6	ZH-CJL50/125-B-6		ECROU M8
7	ZH-CJL50/125-B-7		RONDELLE CAOUTCHOUC
8	ZH-CJL50/125-B-8		RONDELLE M8
9	ZH-CJL50/125-B-9		RONDELLE RESSORT M8
10	ZH-CJL50/125-B-10		VIS

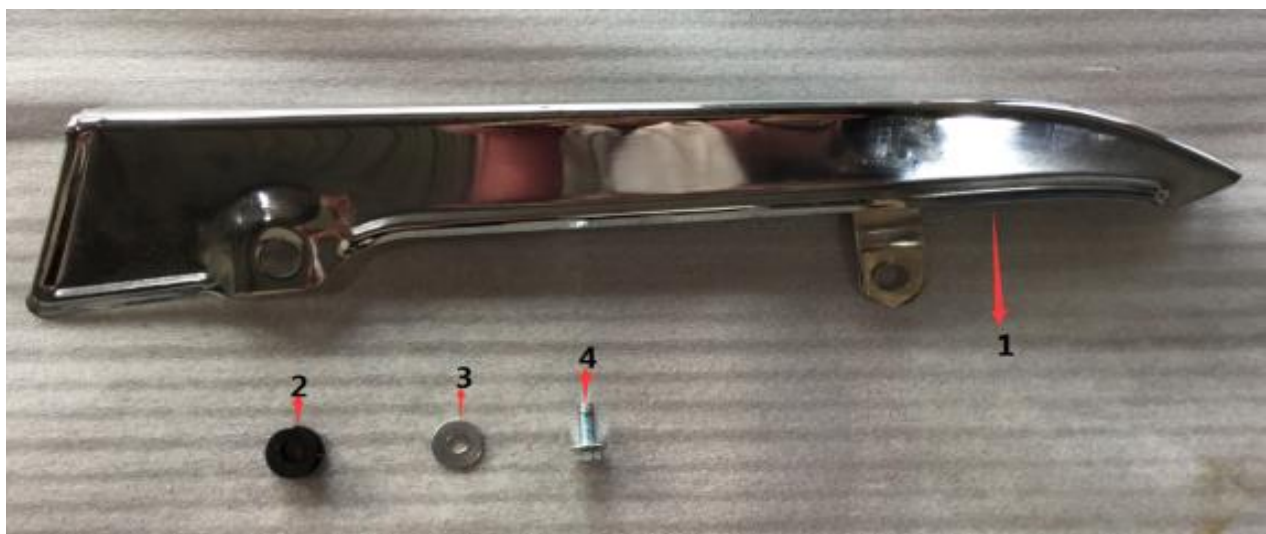
GUIDON



numero	Reference TNT motor	Reference acsud	Designation
1	ZH-CJL50/125-C-1	970892E	DEMI GUIDON DROIT
2	ZH-CJL50/125-C-2	970892F	DEMI GUIDON GAUCHE
3	ZH-CJL50/125-C-3	970892G	SUPPORT DE GUIDON SU TE
4	ZH-CJL50/125-C-4	970892H	MOLETTE FIXATION DEMI-GUIDON
5	ZH-CJL50/125-C-5	970892I	ECROU M10
6	ZH-CJL50/125-C-6	970892J	RESSORT
7	ZH-CJL50/125-C-7	970892Q	TE DE FOURCHE SUPERIEUR
8	ZH-CJL50/125-C-8		RONDELLE CAOUTCHOUC
9	ZH-CJL50-C-9	970907I	CABLE D'EMBRAYAGE 50cc EURO 2
9		970907G	CABLE D'EMBRAYAGE 50cc EURO 3
9	ZH-CJL125-C-9	970894M	CABLE D'EMBRAYAGE 125CC EURO 3 ET 4
9		970894N	CABLE GAZ 50cc euro 2 L 76CM
9		970894N	CABLE GAZ 125cc euro 2 L 89CM
		970894S	CABLE GAZ EURO 3
10	ZH-CJL50-C-10	970912T	CABLE DE GAZ 50cc EURO 4
10	ZH-CJL125-C-10	970912D	CABLE DE GAZ 125cc EURO 4
11	ZH-CJL50/125-C-11	970894H	REVETEMENT DROIT COMPLET EURO 3 et 4
12	ZH-CJL50/125-C-12	970894J	REVETEMENT GAUCHE

13		970894I	POIGNEE DE GAZ COMPLETE EURO 2
13	ZH-CJL50/125-C-13	970894R	POIGNEE DE GAZ COMPLETE EURO 3
14		970894K	LEVIER D'EMBAYAGE + SUPPORT COMPLET EURO 2
14	ZH-CJL50/125-C-14	970894O	LEVIER D'EMBAYAGE + SUPPORT COMPLET EURO 3
14		970894L	LEVIER D'EMBAYAGE NU 50cc 125cc EURO 2
14	57201-15A00 E3	970911M	LEVIER D'EMBAYAGE NU 50cc 125cc EURO 3
	MIRROR SET R/L	970894G	PAIRE DE RETROVISEUR

PROTEGE CHAINE



numero	Reference TNT motor	Reference acsud	Designation
1	ZH-CJL50/125-D-1	970900G	PROTEGE CHAINE
2	ZH-CJL50/125-D-2		RONDELLE CAOUTCHOUC
3	ZH-CJL50/125-D-3		RONDELLE M6
4	ZH-CJL50/125-D-4		VIS M6X16

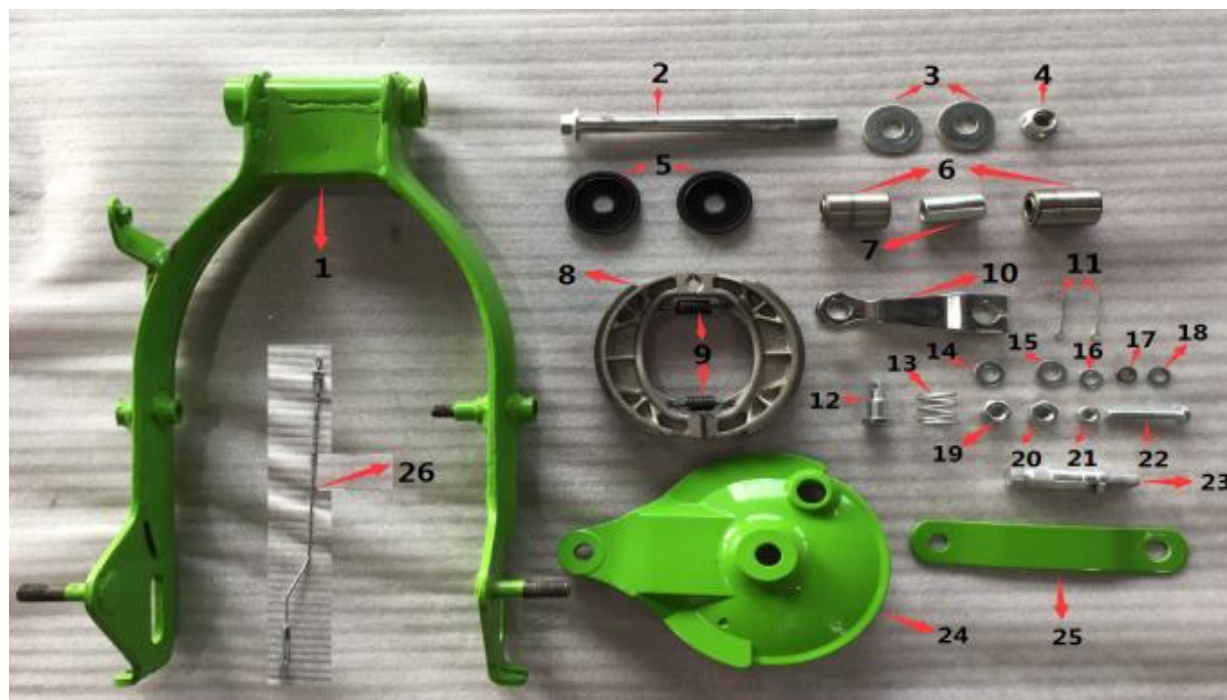
REPOSE PIEDS + BEQUILLE



numero	Reference TNT motor	Reference	Designation
--------	---------------------	-----------	-------------

numero	reference THT motor	acsud	Designation
1	ZH-CJL50/125-E-1		CONTACTEUR DE BEQUILLE LATERALE
2	ZH-CJL50/125-E-2		RONDELLE
3	ZH-CJL50/125-E-3		VIS M6X20
4	ZH-CJL50/125-E-4	970900W	SUPPORT DE REPOSE PIEDS
5	ZH-CJL50/125-E-5	970900X	CAOUTCHOUC REPOSE PIEDS DROIT ET GAUCHE
6	ZH-CJL50/125-E-6	970900P	BEQUILLE CENTRALE
7	ZH-CJL50/125-E-7	970900Q	AXE DE BEQUILLE CENTRALE
8	ZH-CJL50/125-E-8		RONDELLE M16
9	ZH-CJL50/125-E-9		GOUPILLE
10	ZH-CJL50/125-E-10	970900T	RESSORT EXTERIEUR
11	ZH-CJL50/125-E-11	970900U	RESSORT INTERIEUR
12	ZH-CJL50/125-E-12	970900V	BUTEE CAOUTCHOUC
13	ZH-CJL50/125-E-13		ECROU M8
14	ZH-CJL50/125-E-14		RONDELLE M8
15	ZH-CJL50/125-E-15		RONDELLE RESSORT M8
16	ZH-CJL50/125-E-16		VIS M8X20
17	ZH-CJL50/125-E-17	970902	BEQUILLE LATERALE
18	ZH-CJL50/125-E-18	970902A	AXE BEQUILLE LATERALE
19	ZH-CJL50/125-E-19	970902C	RESSORT EXTERIEUR
20	ZH-CJL50/125-E-20	970902D	RESSORT INTERIEUR

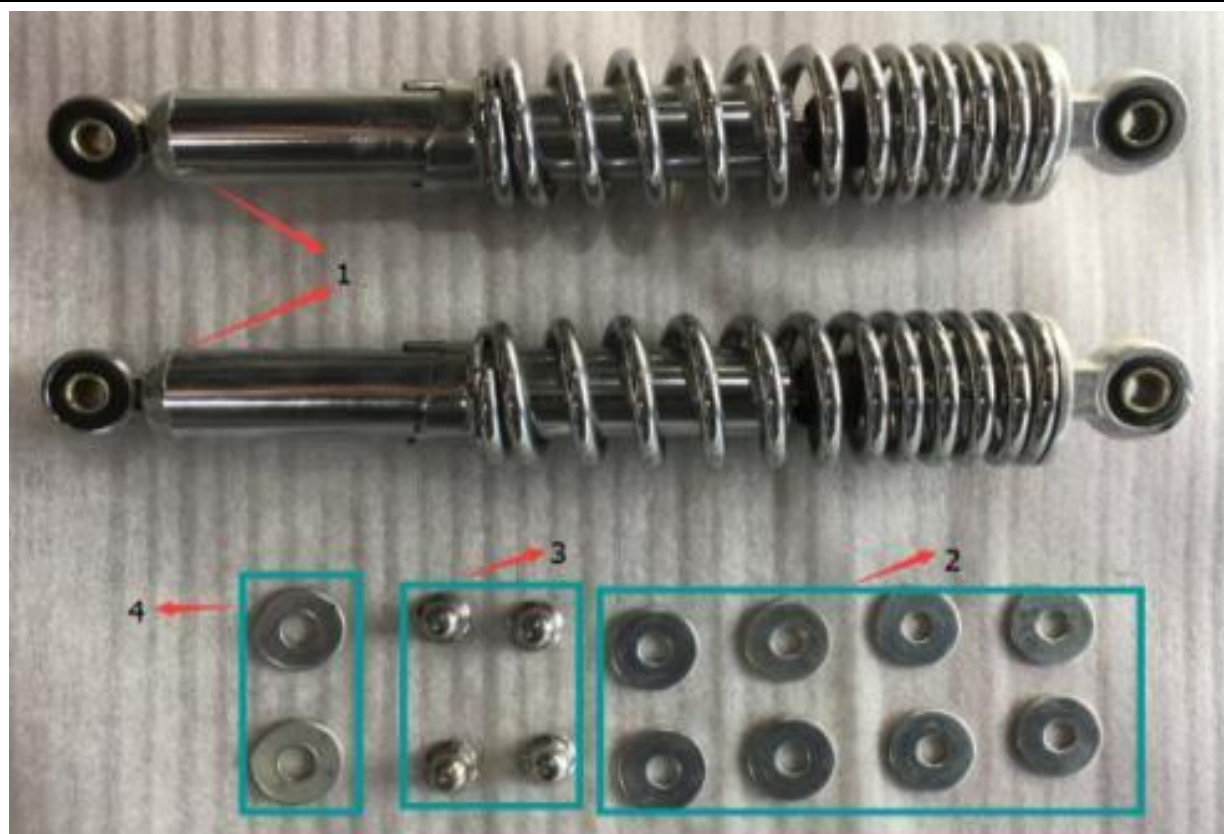
BRAS OSCILLANT



numero	Reference TNT motor	Reference acsud	Designation
1	ZH-CJL50/125-F-1 BLACK	970899B	BRAS OSCILLANT NOIR
1	ZH-CJL50/125-F-1 WHITE	970907Z	BRAS OSCILLANT BLANC
1	ZH-CJL50/125-F-1 RED	970909K	BRAS OSCILLANT ROUGE
1	ZH-CJL50/125-F-1 ORANGE	970908	BRAS OSCILLANT ORANGE
2	ZH-CJL50/125-F-2	970898U	AXE DE BRAS OSCILLANT M10X135
3	ZH-CJL50/125-F-3	970898V	RONDELLE M10
4	ZH-CJL50/125-F-4		ECROU FREIN M10
5	ZH-CJL50/125-F-5		RONDELLE CAOUTCHOUC
6	ZH-CJL50/125-F-6	970910D	JEU DE ROULEMENT A AIGUILLES BEARING
7	ZH-CJL50/125-F-7	970911P	ENTRETOISE
8	ZH-CJL50/125-F-8	970898J	MACHOIRES DE FREIN
9	ZH-CJL50/125-F-9	970898K	RESSORT
10	ZH-CJL50/125-F-10	970898F	LEVIER DE CAME DE FREIN ARR
11	ZH-CJL50/125-F-11		GOUPILLE
12	ZH-CJL50/125-F-12		AXE
13	ZH-CJL50/125-F-13		RESSORT
14	ZH-CJL50/125-F-14		RONDELLE M8
15	ZH-CJL50/125-F-15		RONDELLE M8
16	ZH-CJL50/125-F-16		RONDELLE M6
17	ZH-CJL50/125-F-17		RONDELLE RESSORT
18	ZH-CJL50/125-F-18		RONDELLE M6

19	ZH-CJL50/125-F-19		ECROU M8
20	ZH-CJL50/125-F-20		ECROU M8
21	ZH-CJL50/125-F-21		ECROU M6
22	ZH-CJL50/125-F-22		VIS M6X35
23	ZH-CJL50/125-F-23	970898E	AXE DE FREIN ARRIERE
24	ZH-CJL50/125-F-24		PANEL,REAR HUB
24	ZH-CJL50/125-F-24 BLACK	970909R	FLASQUE DE FREIN ARR NOIRE
24	ZH-CJL50/125-F-24 WHITE	970909S	FLASQUE DE FREIN ARR BLANCHE
24	ZH-CJL50/125-F-24 RED	970909T	FLASQUE DE FREIN ARR ROUGE
24	ZH-CJL50/125-F-24 ORANGE	970909V	FLASQUE DE FREIN ARR ORANGE
25	ZH-CJL50/125-F-25 BLACK	970899D	PLAQUE ANTI COUPLE TAMBOUR NOIRE
25	ZH-CJL50/125-F-25 WHITE	970909X	PLAQUE ANTI COUPLE TAMBOUR NOIRE
25	ZH-CJL50/125-F-25 RED	970899C	PLAQUE ANTI COUPLE TAMBOUR NOIRE
25	ZH-CJL50/125-F-25 ORANGE	970910A	PLAQUE ANTI COUPLE TAMBOUR NOIRE
26		970904J	TRINGLE DE FREIN ARRIERE COMPLETE EURO 2 ET 3
26	ZH-CJL50/125-F-26	970912O	TRINGLE DE FREIN ARRIERE COMPLETE EURO 4

AMORTISSEUR ARRIERE



numero	Reference TNT motor	Reference acsud	Designation
1	ZH-CJL50/125-G-1	970900K	AMORTISSEUR DROIT OU GAUCHE
2	ZH-CJL50/125-G-2		RONDELLE M10
3	ZH-CJL50/125-G-3	970900N	ECROU BORGNE M10
4	ZH-CJL50/125-G-4		RONDELLE M12

MOTEUR + EQUIPEMENT



numero	Reference TNT motor	Reference acsud	Designation
1		970893A	MOTEUR COMPLET 50cc EURO 2 ET 3
1		970907A	MOTEUR COMPLET 125cc EURO 2 ET 3
1	ZH-CJL50-H-1	970911Q	MOTEUR COMPLET 50cc EFI EURO 4
1	ZH-CJL125-H-1	970907	MOTEUR COMPLET 125cc EFI EURO 4
2	ZH-CJL50-125-H-2	970908M	SELECTEUR TALON POINTE
3	ZH-CJL50-125-H-3	970888G	KICK DE DEMARRAGE
4	ZH-CJL50-125-H-4	970906C	AXE SUPPORT MOTEUR INFERIEUR
5	ZH-CJL50-125-H-5		RONDELLE M8
6	ZH-CJL50-125-H-6		ECROU M8
7	ZH-CJL50-125-H-7	970904O	AXE SUPPORT MOTEUR SUPERIEUR
8	ZH-CJL50-125-H-8		RONDELLE M8
9	ZH-CJL50-125-H-9		ECROU FREIN M8
10	ZH-CJL50-125-H-10		VIS
11	ZH-CJL50-125-H-11	970876X	CACHE PIGNON SORTIE DE BOITE

SELLE



numero	Reference TNT motor	Reference acsud	Designation
1	ZH-CJL50/125-I-1 BLACK	970902F	SELLE COMPLETE NOIRE
1	ZH-CJL50/125-I-1 BLACK /WHITE	970907B	SELLE COMPLETE NOIRE BLANCHE
1	ZH-CJL50/125-I-1 BROWN	970907C	SELLE COMPLETE MARRON
1	ZH-CJL50/125-I-1 ORANGE / BLACK	970907D	SELLE COMPLETE ORANGE NOIRE
2	ZH-CJL50/125-I-2	ECROU M8	Self-locking nut
3	ZH-CJL50/125-I-3	VIS M6X20	BOLT
4	ZH-CJL50/125-I-4		SANGLE
5	ZH-CJL50/125-I-5	970902L	TROUSSE OUTILS
6	ZH-CJL50/125-I-6	970902K	CACHE TROUSSE OUTILS

RESERVOIR



numero	Reference TNT motor	Reference acsud	Designation
		970908J	RESERVOIR ESSENCE EURO 2 ET 3
1	ZH-CJL50/125-I-1	970912E	RESERVOIR ESSENCE EFI EURO 4
2	ZH-CJL50/125-I-2		DURITE 1
3	ZH-CJL50/125-I-3		DURITE 2
4	ZH-CJL50/125-I-4		DURITE 3
5	ZH-CJL50/125-I-5	970904	CACHE ENTOURAGE BOUCHON ESSENCE
6	ZH-CJL50/125-I-6	970904C	JOINT CAOUTCHOUC
7	ZH-CJL50/125-I-7	VIS M6X12	VIS M6X12
8	ZH-CJL50/125-I-8		BAGUE
9	ZH-CJL50/125-I-9		RONDELLE M6
10	ZH-CJL50/125-I-10		VIS
11	ZH-CJL50/125-I-11	970912F	JAUGE A ESSENCE EFI EURO 4
12	ZH-CJL50/125-I-12	970904E	BOUCHON DE RESERVOIR

13	ZH-CJL50/125-I-13	970902Z	CAOUTCHOUC RESERVOIR INFERIEUR
----	-------------------	---------	--------------------------------

CADRE



numero	Reference TNT motor	Reference acsud	Designation
1		970905A	CADRE NOIR EURO 2 ET 3
1	ZH-CJL50/125-K-1 BLACK	970912N	CADRE NOIR EFI EURO 4
1		970907S	CADRE BLANC EURO 2 ET 3
1	ZH-CJL50/125-K-1 WHITE	970912P	CADRE BLANC EFI EURO 4
1		970905	CADRE ROUGE EURO 2 ET 3
1	ZH-CJL50/125-K-1 RED	970912Q	CADRE ROUGE EFI EURO 4
1		970907T	CADRE ORANGE EURO 2 ET 3
1	ZH-CJL50/125-K-1 ORANGE	970912R	CADRE ORANGE EFI EURO 4
2	ZH-CJL50/125-K-2	970904U	BAGUETTE DE JONCTION DE CADRE
3	ZH-CJL50/125-K-3		CUVETTE
4	ZH-CJL50/125-K-4		fastener of TAPE SET
		970904R	PAIRES ECUSSENS CITY 50cc
	RUBBER FOR SEAT	970910C	CAOUTCHOUC DE SELLE

FAISCEAU ELECTRIQUE



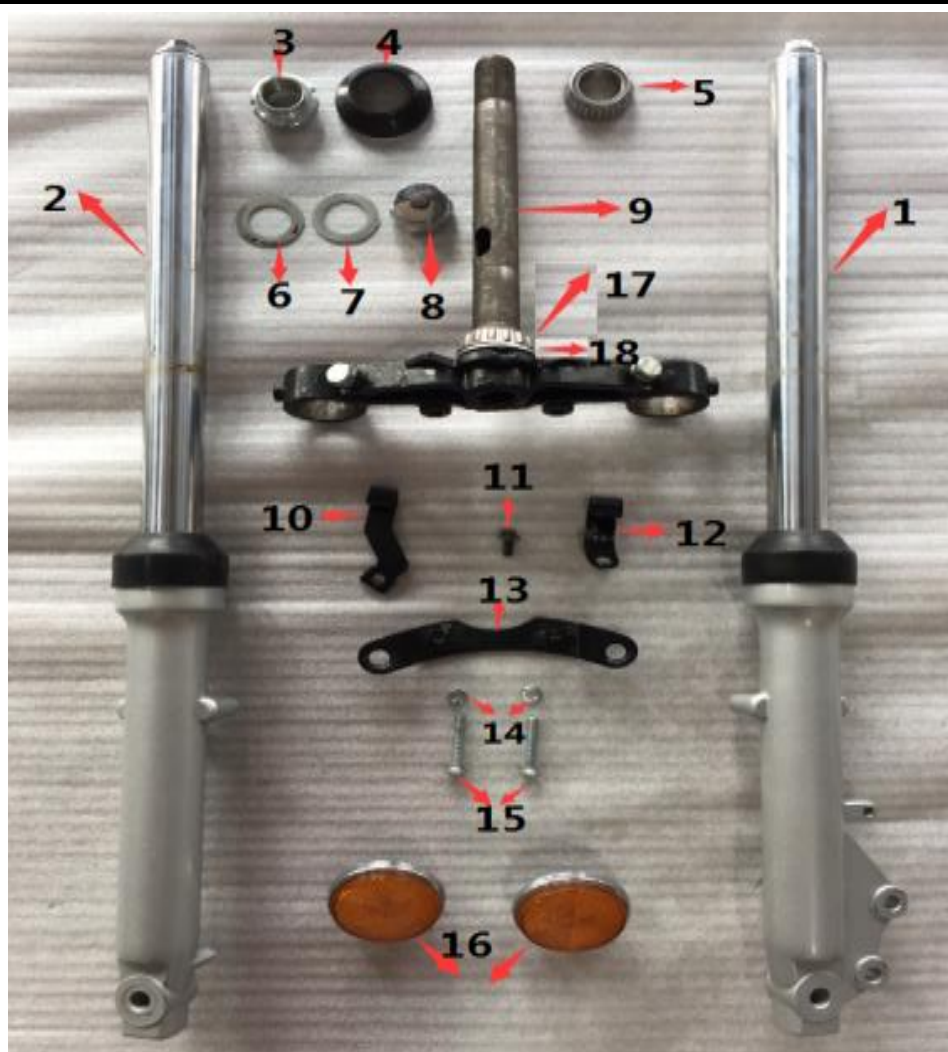
numero	Reference TNT motor	Reference acsud	Designation
1	ZH-CJL50/125-L-1	970890J	SUPPORT DE BATTERIE
2	ZH-CJL50/125-L-2	229030E	BATTERIE
3	ZH-CJL50/125-L-3	S1054	ACIDE DE BATTERIE
4	ZH-CJL50/125-L-4	970890M	RELAJ DE DEMARREUR
5	ZH-CJL50/125-L-5	970890L	SANGLE DE MAINTIEN DE BATTERIE
6	ZH-CJL50/125-L-6	970890I	CENTRALE CLIGNOTANTE
7	ZH-CJL50/125-L-7	970911R	CLAMP
8	ZH-CJL50/125-L-8	970912	FAISCEAU COMPLET 50cc ET 125cc EFI EURO 4
8		970913H	FAISCEAU COMPLET 50cc ET 125cc EFI EURO 4 NM
9	ZH-CJL50/125-L-9	970890A	CAOUTCHOUC PASSE FAISCEAU
10	ZH-CJL50/125-L-10		VIS M6
11	ZH-CJL50/125-L-11	970890X	KLAXON
12	ZH-CJL50/125-L-12		CAOUTCHOUC CACHE BATTERIE

CLIGNOTANT ARRIERE



numero	Reference TNT motor	Reference acsud	Designation
1	ZH-CJL50/125-M-1	970903C	PORTE BAGAGES
1	ZHH607	970910V	POIGNEE DE MAINTIEN ARRIERE
2	ZH-CJL50/125-M-2		VIS
3	ZH-CJL50/125-M-3	970891C	CLIGNOTANT ARRIERE GAUCHE
4	ZH-CJL50/125-M-4		RONDELLE M10
5	ZH-CJL50/125-M-5		ECROU M10
6	ZH-CJL50/125-M-6	970891B	CLIGNOTANT ARRIERE DROIT
7	ZH-CJL50/125-M-7		RONDELLE M10
8	ZH-CJL50/125-M-8		ECROU M10

FOURCHE AVANT



numero	Reference TNT motor	Reference acsud	Designation
1	ZH-CJL50/125-N-1	970910G	TUBE DE FOURCHE COMPLET GAUCHE DIAMETRE 31
2	ZH-CJL50/125-N-2	970910F	TUBE DE FOURCHE COMPLET DROIT DIAMETRE 31
3	ZH-CJL50/125-N-3	970911S	ECROU FREIN
4	ZH-CJL50/125-N-4	970911T	shield
5	ZH-CJL50/125-N-5	970892N	BILLE + CUVETTE SUP
6	ZH-CJL50/125-N-6		JOINT SUPERIEUR
7	ZH-CJL50/125-N-7		JOINT INFERIEUR
8	ZH-CJL50/125-N-8	970892S	ECROU DE COLONNE DE DIRECTION
9	ZH-CJL50/125-N-9	970908W	TE DE FOURCHE DIAM 31
10	ZH-CJL50/125-N-10	970894A	PATTE PASSAGE DURITE DE FREIN
11	ZH-CJL50/125-N-11		VIS
12	ZH-CJL50/125-N-12		PATTE
13	ZH-CJL50/125-N-13		PATTE SUPPORT DE PHARE
14	ZH-CJL50/125-N-14		RONDELLE RESSORT
15	ZH-CJL50/125-N-15		VIS M6X35
16	ZH-CJL50/125-N-16	970892X	CATADIOPTRE
17	ZH-CJL50/125-N-17	970911U	BILLE + CUVETTE INF
18	ZH-CJL50/125-N-18	970892R	JOINT CAOUTCHOUC

INJECTION



numero	Reference TNT motor	Reference acsud	Designation
1	ZH-CJL50/125-O-1	970912U	FILTRE A AIR COMPLET 50cc ET 125cc Eefi EURO 4
2/3	ZH-CJL50-O-2	970912V	CORP D INJECTION COMPT 50cc (avec ecu)
2/3	ZH-CJL125-O-2	970912H	CORP D INJECTION COMPT 125cc (avec ecu)
3		970911X	PIPE 50cc EFI EURO 4
4	ZH-CJL50/125-O-4	970912M	BOBINE HAUTE TENSION EFI EURO 4
5			
6		970913	INJECTEUR 50cc
6		970913A	INJECTEUR 125cc
7		970888R	REGULATEUR 50cc ET 125cc EURO 2 ET 3
7	ZH-CJL50/125-O-7	970912L	REGULATEUR 50cc ET 125cc EFI EURO 4
7		970913B	REGULATEUR 50cc ET 125cc EFI EURO 4 NM A DIODE
7		970913L	REGULATEUR 50cc ET 125cc EFI EURO 4 NM
8	ZH-CJL50/125-O-8	425017	FILTRE ESSENCE
8		970913C	FILTRE ESSENCE EURO 4 POUR POMPE NM
9	ZH-CJL50/125-O-9	970912I	POMPE ESSENCE ELECTRIQUE EURO 4 AM
9		970913D	POMPE ESSENCE ELECTRIQUE EURO 4 NM
10	ZH-CJL50/125-O-10	970913G	DURITE INJECTEUR
11	ZH-CJL50/125-O-11	970913E	FAISCEAU ECU 1
12	ZH-CJL50/125-O-12	970913F	FAISCEAU ECU 2
13	ZH-CJL50/125-O-13	970912J	POMPE ESSENCE DEPRESSION
14	ZH-CJL50/125-O-14		DURITE 1
15	ZH-CJL50/125-O-15		DURITE 2
16	ZH-CJL50/125-O-16		PATTE DE FIXATION
17	ZH-CJL50/125-O-17		support
18	ZH-CJL50/125-O-18		support
19	ZH-CJL50/125-O-19		VIS M8X16
20	ZH-CJL50/125-O-20		VIS M6X20
21	ZH-CJL50/125-O-21		ECROU M6
22	ZH-CJL50/125-O-22		RONDELLE 13X6X6.5
23	ZH-CJL50/125-O-23		ECROU M6
24	ZH-CJL50/125-O-24		VIS M6X16

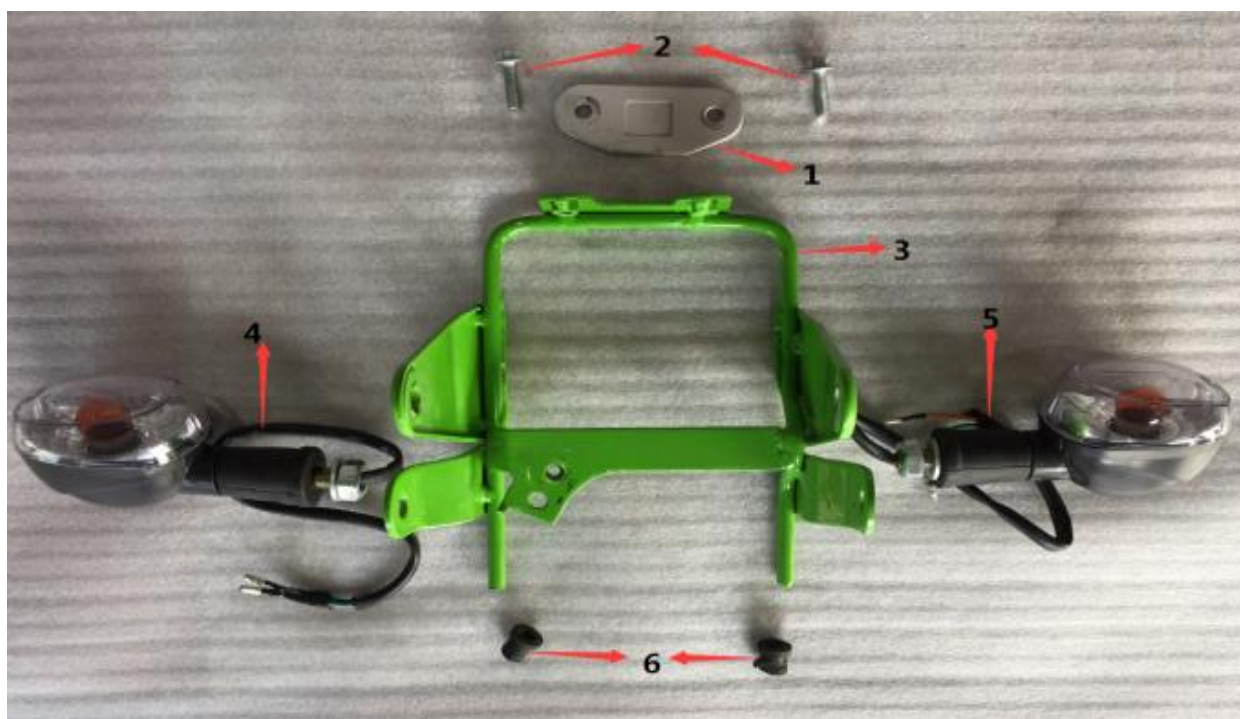
25	ZH-CJL50/125-O-25		VIS M6X40
		970912Z	DIODE DE FAISCEAU

FREIN AVANT



numero	Reference TNT motor	Reference acsud	Designation
1	43110-14A00	970904W	PEDALE DE FREIN ARRIERE EURO 2 ET 3
1	ZH-CJL50/125-P-1	970912B	PEDALE DE FREIN ARRIERE E4
2	ZH-CJL50/125-P-2		SUPPORT MAITRE CYLINDRE ARR
3	ZH-CJL50/125-P-3		VIS M6X12
4	ZH-CJL50/125-P-4		VIS M6X16
5	ZH-CJL50/125-P-5		ECROU FREIN M6
6	ZH-CJL50/125-P-6		ECROU 8X35X2
7	ZH-CJL50/125-P-7		Brake lever
8	ZH-CJL50/125-P-8		ECROU M6
9	ZH-CJL50/125-P-9		GOUPILLE
10	ZH-CJL50/125-P-10		AXE
11	ZH-CJL50/125-P-11		CACHE PEDALE DE FREIN
12	ZH-CJL50/125-P-12		RESSORT DE PEDALE DE FREIN
13	ZH-CJL50/125-P-13		GOUPILLE
14	ZH-CJL50/125-P-14		RESSORT DE CONTACTEUR
15	ZH-CJL50/125-P-15		SUPPORT DE REPARTITEUR
16	ZH-CJL50/125-P-16		VIS M6X65
17	ZH-CJL50/125-P-17		ECROU
18	ZH-CJL50/125-P-18		VIS M6X30
19	ZH-CJL50/125-P-19		ECROU M6
20		970912C	ENSEMBLE FREINAGE AVANT COMPLET 125cc EURO 4 CBS
21	ZH-CJL50-P-21	970896E	ENSEMBLE FREINAGE AVANT COMPLET 50cc ET 125cc EURO 2 ET 3
		970895B	LEVIER DE FREIN AVANT NU 50cc ET 125cc ANCIEN MODELE
	57300-ZH-DX50 NEW	970895D	LEVIER DE FREIN AVANT NU 50cc ET 125cc NOUVEAU MODELE

CLIGNOTANT AVANT



numero	Reference TNT motor	Reference acsud	Designation
1	ZH-CJL50/125-Q-1	970911V	SUPPORT DE COMPTEUR
2	ZH-CJL50/125-Q-2		VIS M6X16
3	ZH-CJL50/125-Q-3 BLACK	970890Z	SUPPORT CUVELAGE PHARE NOIR
3	ZH-CJL50/125-Q-3 WHITE	970908C	SUPPORT CUVELAGE PHARE BLANC
3	ZH-CJL50/125-Q-3 ROUGE	970910I	SUPPORT CUVELAGE PHARE ROUGE
3	ZH-CJL50/125-Q-3 ORANGE	970908D	SUPPORT CUVELAGE PHARE ORANGE
4	ZH-CJL50/125-Q-4	970891C	CLIGNOTANT AVANT DROIT
5	ZH-CJL50/125-Q-5	970891B	CLIGNOTANT AVANT GAUCHE
6	ZH-CJL50/125-Q-6	970892A	CAOUTCHOUC

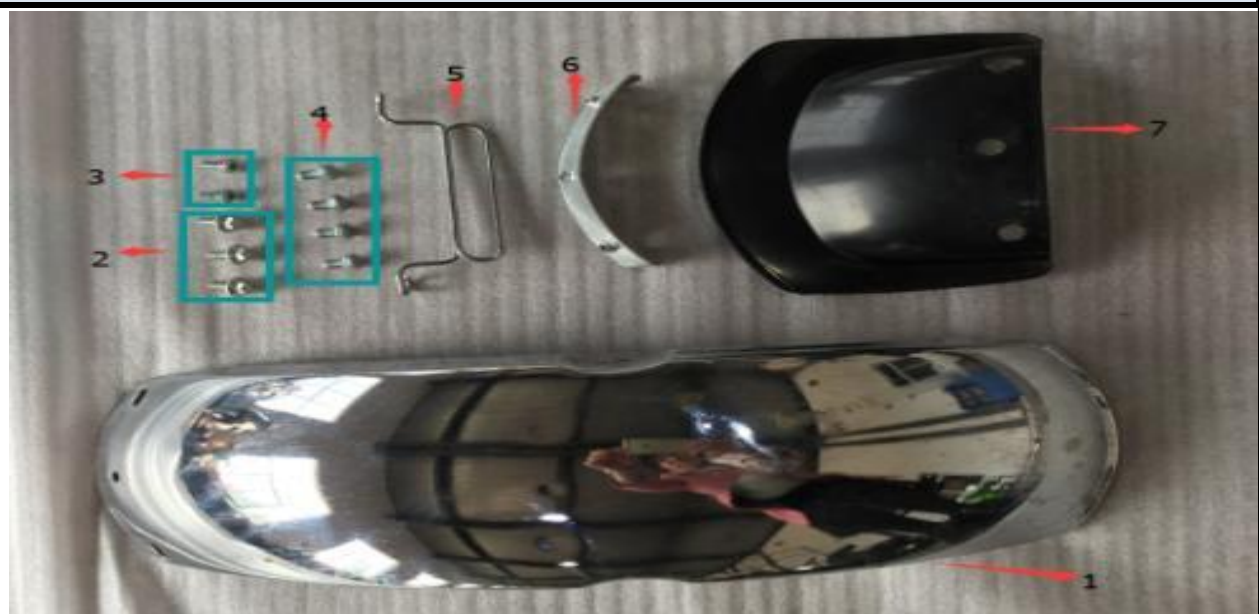
FEU ARRIERE



numero	Reference TNT motor	Reference acsud	Designation
1	ZH-CJL50/125-R-1	970902P	SUPPORT FEU ARR PLAQUE IMMAT
2	ZH-CJL50/125-R-2	970903	FEU ARRIERE OVALE
3	ZH-CJL50/125-R-3		ECROU M6
4	ZH-CJL50/125-R-4		RONDELLE RESSORT M6
5	ZH-CJL50/125-R-5		RONDELLE PLATE M6
6	ZH-CJL50/125-R-6		PATTE SUPPORT PLAQUE IMMAT
7	ZH-CJL50/125-R-7		ECROU FREIN M6
8	ZH-CJL50/125-R-8		VIS M6X12
9	ZH-CJL50/125-R-9		REFLECTEUR ARRIERE

10	ZH-CJL50/125-R-10		ECROU M10
11	ZH-CJL50/125-R-11		PATTE SUPPORT REFLECTEUR
12	ZH-CJL50/125-R-12	970902S	CAOUTCHOUC PASSE CABLE

GARDE BOUE AVANT



numero	Reference TNT motor	Reference acsud	Designation
1	ZH-CJL50/125-S-1	970892Z	GARDE BOUE AVANT
2	ZH-CJL50/125-S-2		VIS M6X12
3	ZH-CJL50/125-S-3		VIS M5X16
4	ZH-CJL50/125-S-4		VIS M6X12
5	ZH-CJL50/125-S-5		PASSE CABLE
6	ZH-CJL50/125-S-6	970894D	CAOUTCHOUC
7	ZH-CJL50/125-S-7	970894C	BAVETTE DE GARDE BOUE

JANTE AVANT



numero	Reference TNT motor	Reference acsud	Designation
1	ZH-CJL50/125-T-1	S821946G	PNEU AVANT 350X10
2	ZH-CJL50/125-T-2	251260	CHAMBRE A AIR
3	ZH-CJL50/125-T-3		DEMI JANTE AVANT DROITE
4	ZH-CJL50/125-T-4		DEMI JANTE AVANT GAUCHE
3/4		970894T	JANTE AVANT COMPLETE
5	ZH-CJL50/125-T-5 BLACK	970907O	MOYEU DE ROUE AVANT NOIR

5	ZH-CJL50/125-T-5 WHITE	970907P	MOYEU DE ROUE AVANT BLANC
5	ZH-CJL50/125-T-5 ROUGE	970909E	MOYEU DE ROUE AVANT ROUGE
5	ZH-CJL50/125-T-5 ORANGE	970907Q	MOYEU DE ROUE AVANT ORANGE
6	ZH-CJL50/125-T-6	970896O	DISQUE DE FREIN AVANT
7	ZH-CJL50/125-T-7	970896C	ROULEMENT
8	ZH-CJL50/125-T-8	970896C	ROULEMENT
9	ZH-CJL50/125-T-9	970896A	ENTRETOISE ROUE AVANT 69X10
10	ZH-CJL50/125-T-10	970896B	JOINT SPI
11	ZH-CJL50/125-T-11		JOINT
12	ZH-CJL50/125-T-12	970896P	VIS DE DISQUE DE FREIN M8X20
13	ZH-CJL50/125-T-13		ECROU M8
14	ZH-CJL50/125-T-14		RONDELLE RESSORT M8
15	ZH-CJL50/125-T-15		RONDELLE PLATE M8
16	ZH-CJL50/125-T-16		VIS M8X25
17	ZH-CJL50/125-T-17		ECROU FREIN M6
18	ZH-CJL50/125-T-18		RONDELLE PLATE M6
19	ZH-CJL50/125-T-19		VIS M6X16
20	ZH-CJL50/125-T-20	970896D	ENTRAINEUR DE COMPTEUR
21	ZH-CJL50/125-T-21	970896	ENTRTOISE 20X10.5X25
22	ZH-CJL50/125-T-22	970896M	AXE DE ROUE AVANT
23	ZH-CJL50/125-T-23		ECROU AXE DE ROUE M10

JANTE ARRIERE

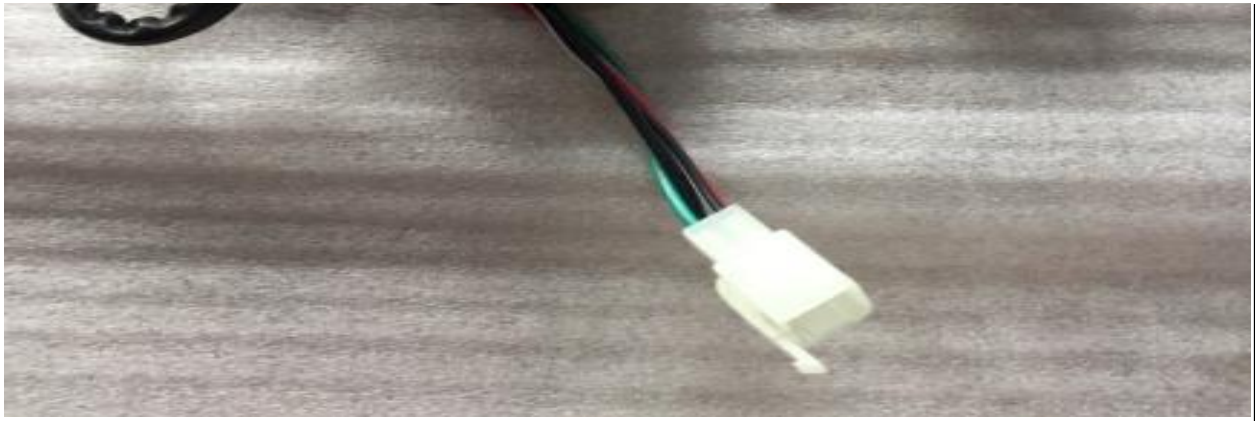


numero	Reference TNT motor	Reference acsud	Designation
1	ZH-CJL50/125-U-1	S821946G	PNEU ARRIERE 350X10
2	ZH-CJL50/125-U-2	251260	CHAMBRE A AIR
3	ZH-CJL50/125-U-3		DEMI JANTE AVANT DROITE
4	ZH-CJL50/125-U-4		DEMI JANTE AVANT GAUCHE
3/4		970894T	JANTE AVANT COMPLETE

5	ZH-CJL50/125-U-5 BLACK	970907K	MOYEU DE ROUE ARR NOIR
5	ZH-CJL50/125-U-5 WHITE	970907L	MOYEU DE ROUE ARR BLANC
5	ZH-CJL50/125-U-5 RED	970909A	MOYEU DE ROUE ARR ROUGE
5	ZH-CJL50/125-U-5 ORANGE	970907M	MOYEU DE ROUE ARR ORANGE
6	ZH-CJL50-U-6	970898S	COURONNE 50CC 42 DENTS
6	ZH-CJ125-U-6	970898R	COURONNE 125CC
7	ZH-CJL50/125-U-7	970898B	ENTRETOISE 98X12
8	ZH-CJL50/125-U-8	970898A	ROULEMENT
9	ZH-CJL50/125-U-9	970898A	ROULEMENT
10	ZH-CJL50/125-U-10		JOINT SPI
11	ZH-CJL50/125-U-11	970898C	JOINT SPI
12	ZH-CJL50/125-U-12		VIS DE COURONNE ARRIERE M8X20
13	ZH-CJL50/125-U-13		VIS HEXAGONAL M8
14	ZH-CJL50/125-U-14		RONDELLE RESSORT M8
15	ZH-CJL50/125-U-15		RONDELLE PLATE M8
16	ZH-CJL50/125-U-16		VIS M8X25
17	ZH-CJL50/125-U-17		Self-locking nut M6
18	ZH-CJL50/125-U-18		RONDELLE PLATE M6
19	ZH-CJL50/125-U-19		VIS M6X16
20	ZH-CJL50/125-U-20	241015	CHAINE 420
21	ZH-CJL50/125-U-21	970898P	TENDEUR DE CHAINE
22	ZH-CJL50/125-U-22	970896W	ENTRETOISE 25X12.5X9
23	ZH-CJL50/125-U-23	970898B	ENTRETOISE 25X12.5X11
24	ZH-CJL50/125-U-24	970896T	AXE DE ROUE ARRIERE
25	ZH-CJL50/125-U-25	970896U	ECROU FREIN M12

KIT SERRURE





numero	Reference TNT motor	Reference acsud	Designation
1	ZH-CJL50/125-V-1	970890D	KIT SERRURES COMPLET

GARDE BOUE ARRIERE



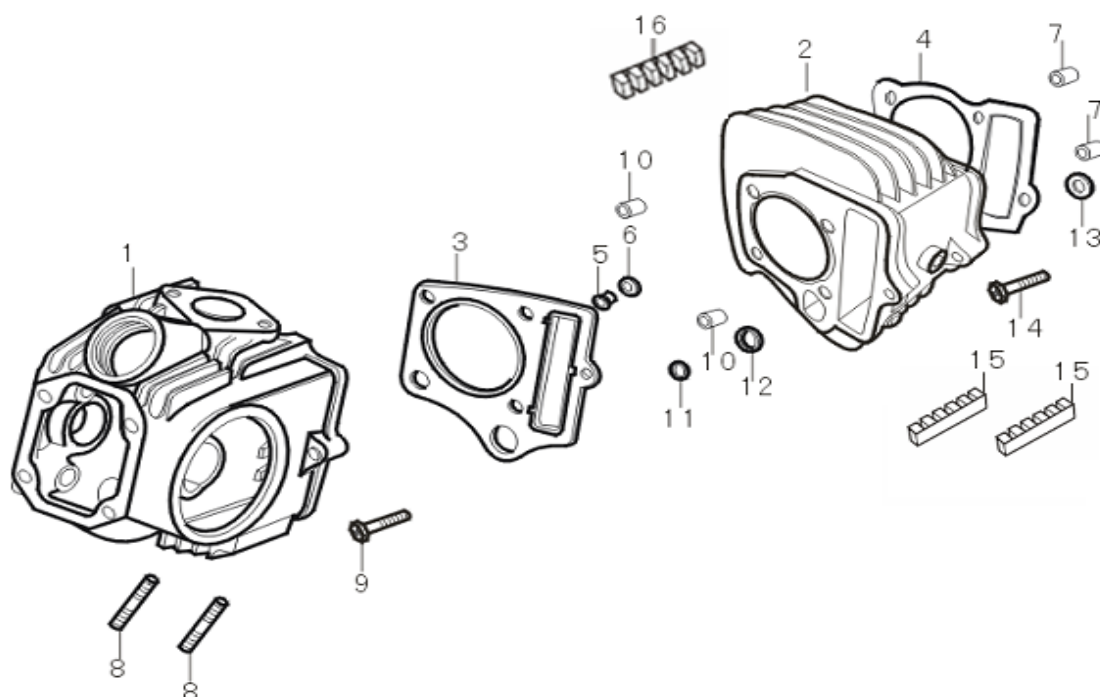
numero	Reference TNT motor	Reference acsud	Designation
1	ZH-CJL50/125-W-1	970903A	GARDE BOUE ARRIERE
2	ZH-CJL50/125-W-2		VIS M6X16

REPOSE PIEDS ARRIERE



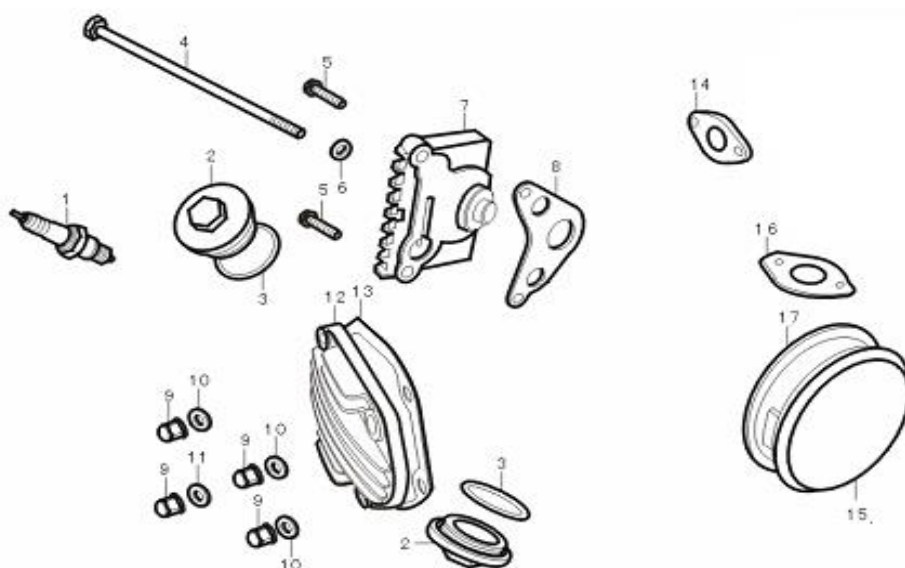
numero	Reference TNT motor	Reference acsud	Designation
1	ZH-CJL50/125-X-1	970910E	REPOSE PIEDS ARRIERE
2	ZH-CJL50/125-X-2		VIS M10X20

CULASSE + CYLINDRE



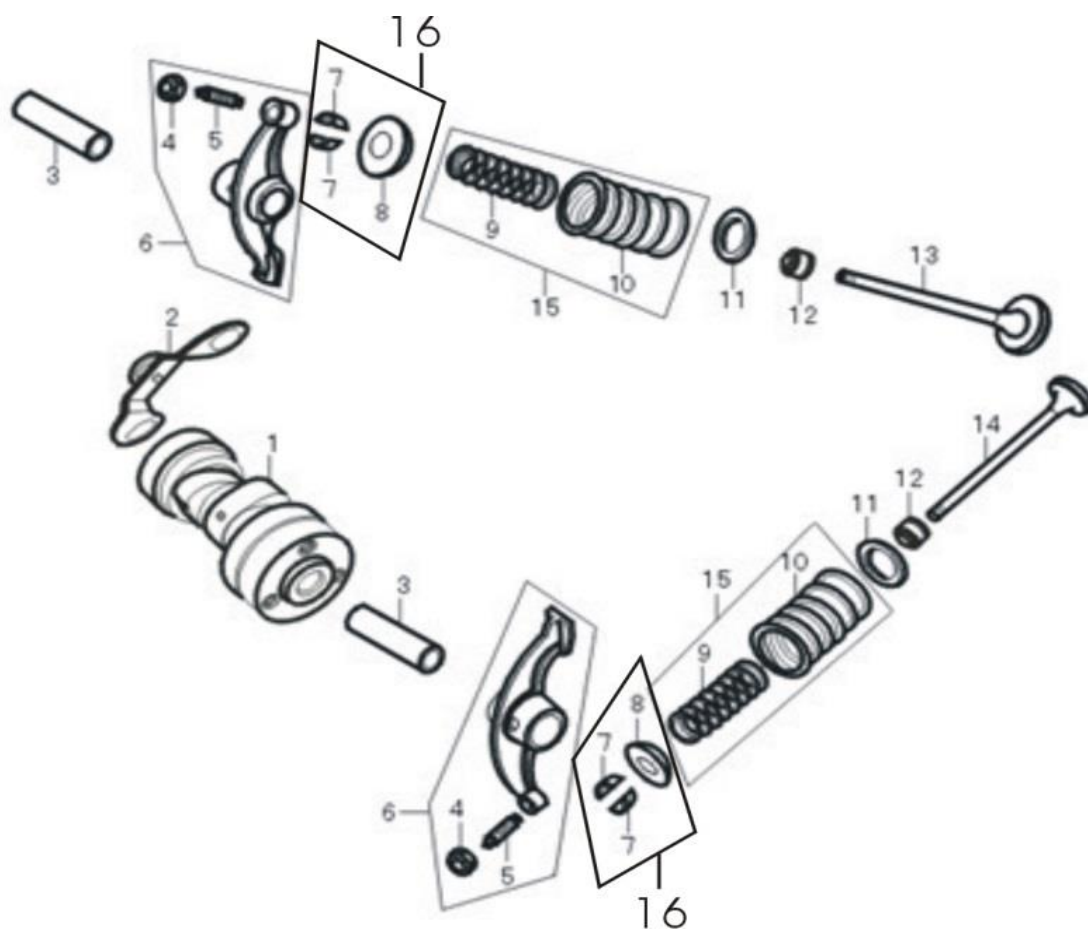
numero	Reference TNT motor	Reference acsud	Designation
1		970872D	CULASSE 125cc
1		970872E	CULASSE 50cc
2	12021-CV00110-98W8	970872	CYLINDRE 125cc
2		970872	CYLINDRE 50cc
3	12130-CV00110-0000	970872H	JOINT DE CULASSE 125cc
3		970872I	JOINT DE CULASSE 50cc
4	12051-CV00110-0000	970872B	JOINT D EMBASE 125cc
4		970872C	JOINT D EMBASE 50cc
5	90683-CBA0210-0000	970872M	BAGUE
6	90692-CBA0810-0000	970872S	JOINT TORIQUE
7	90502-CE00110-0000	970872O	PION CENTRAGE 8X12
8	90204-0620-19	970872K	GOIJONS ECHAPPEMENT M6X20
9	90008-0623-05	970872L	VIS M6X23
10	90502-CE00210-0000	970872O	PION CENTRAGE 8X14
11	90683-CBA0110-0001	970872N	JOINT 14X8
12	90692-CBA0610-0000	970872P	JOINT 14.5 X18.5 X 2.4
13	90692-CBA0710-0000	970872Q	JOINT GUIDE CYLINDRE
14	90008-0628-05		VIS M6X28
15	12013-CE00110-0000	970872T	TAMPON CAOUTCHOUC
16	12013-CE00210-0000	970872U	TAMPON CAOUTCHOUC

ACCESSOIRES CULASSE



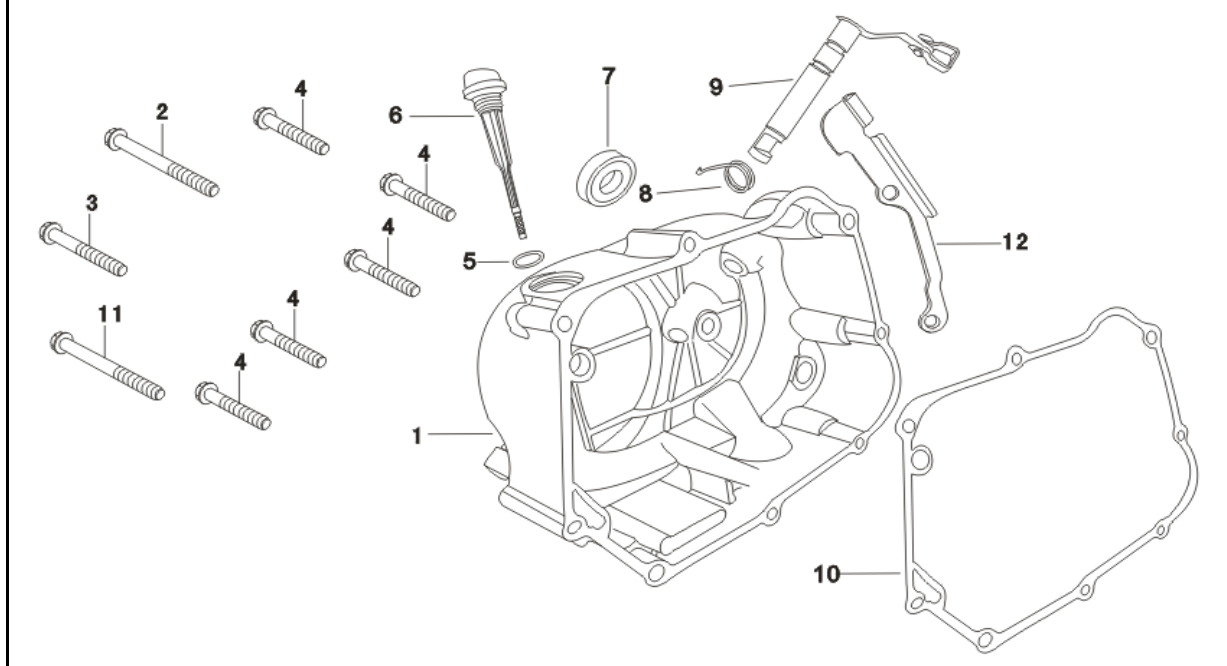
numero	Reference TNT motor	Reference acsud	Designation
3	90692-CBA0A10-0000	970874M	JOINT TORIQUE 30.8 X 3.2
1	30010-CBA0110-0000	S5946	BOUGIE CR6HSA
5	90019-0620-05		VIS M6X20
6	90412-CBA0210-0001		RONDELLE
7	12451-CE00110-00W8	970872W	CACHE CULBUTEURS DROIT
8	12453-CBA0110-0000	970874	JOINT CACHE CULBUTEUR DROIT
9	90314-CE00110-0005		ECROU BORGNE M6
10	90412-CE00110-0001		JOINT
11	90412-CE00210-0006		JOINT
12	12411-CV00110-00W8	970872V	COUVERCLE DE CYLINDRE
13	12004-CV00110-0000	970872Z	JOINT COUVERCLE CYLINDRE
14	16001-CBA0110-0000	970874B	CALE THERMIQUE 125CC
14			CALE THERMIQUE 50CC
15	12431-CE00210-110A	970872X	CACHE CULBUTEURS GAUCHE
16	16001-CBA0110-0000	970874K	JOINT PIPE D ADMISSION 125cc
16		970874L	JOINT PIPE D ADMISSION 50cc
17	12452-CE00110-0000	970874A	JOINT CACHE CULBUTEUR GAUCHE

SOUPAPE ET ARBRE A CAME



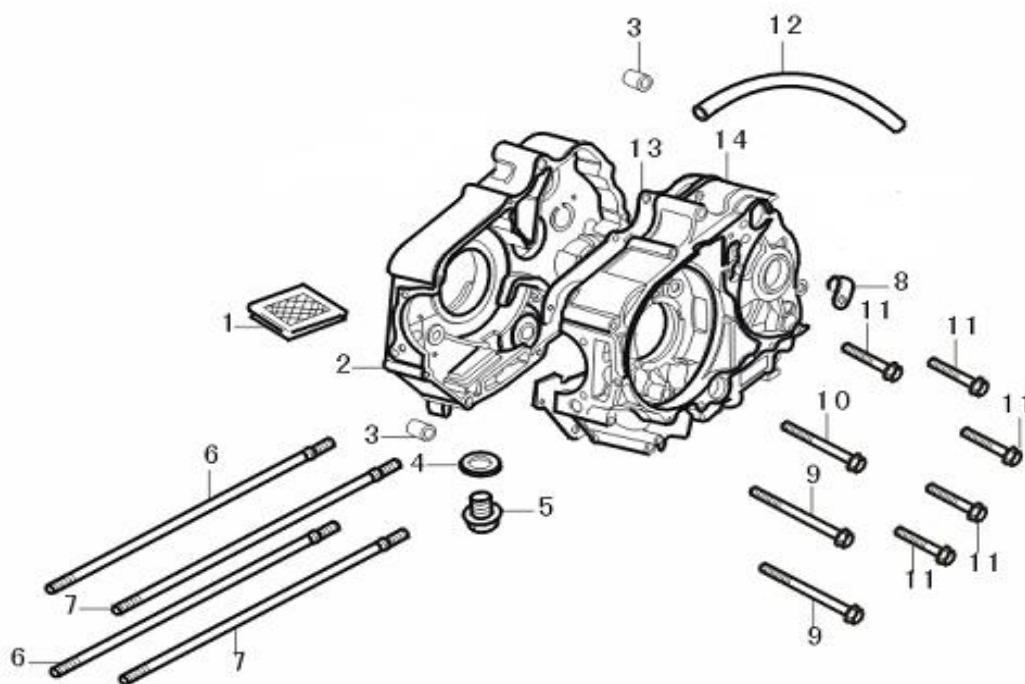
numero	Reference TNT motor	Reference acsud	Designation
3	14330-CBA0110-0000	970874X	AXE DE CULBUTEUR
6	14310-CBA0110-0000	970874W	CULBUTEURS COMPLET
1	14210-CE00110-0000	970874U	ARBRE A CAME
8		970876D	COUPELLE D'APPUI SUPERIEUR
9		970876C	RESSORT DE SOUPAPE INTERIEUR
10		970876B	RESSORT DE SOUPAPE EXTERIEUR
11	12106-CBA0110-0000	970876E	BAGUE D'APPUI INFERIEURE
12	12101-CBA0110-0000	970874T	JOINT DE QUEUE DE SOUPAPES
13	12111-CV00110-0000	970874Y	SOUPAPES D'ADMISSION
14	12121-CV00110-0000	970876	SOUPAPE D'ECHAPPEMENT
15	12114-CBA0110-0000		JEU DE RESSORTS DE SOUPAPE
16	06042-CBA0110-0000		ENSEMBLE COUPELLE DEMI LUNE

CARTER EMBRAYAGE



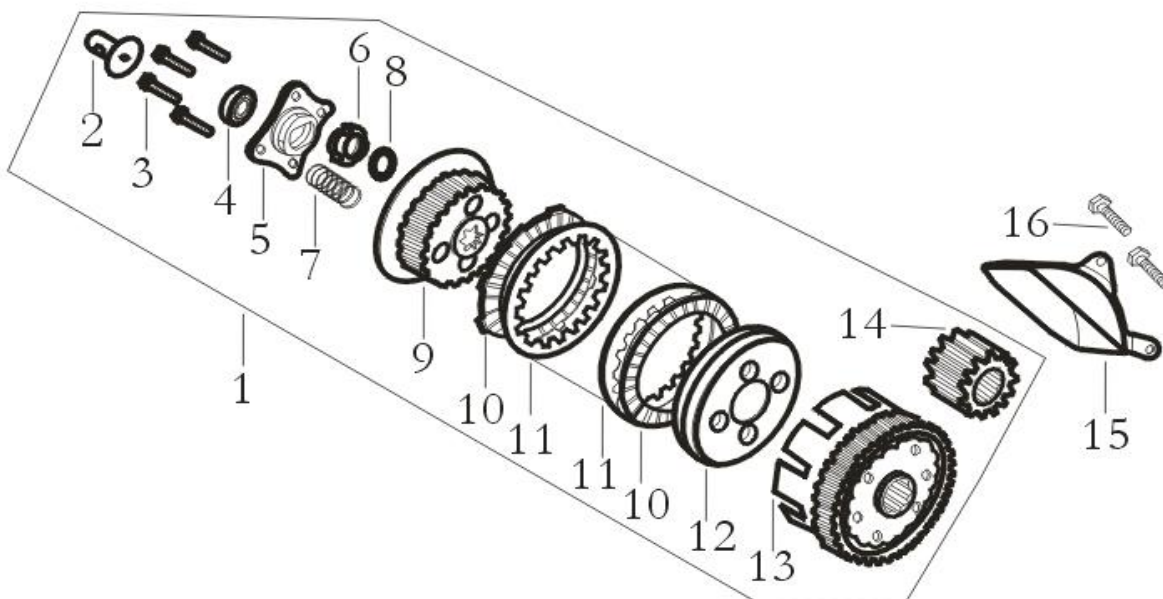
numero	Reference TNT motor	Reference acsud	Designation
1	11610-CV00110-00W8	970880B	CARTER D'EMBRAYAGE 125cc
1			CARTER D'EMBRAYAGE 50cc
5	90692-CBA0210-0000		JOINT TORIQUE
6	15011-CBA0210-0005	970880E	JAUGE D'HUILE 125cc
6		970881G	JAUGE D'HUILE 50cc
7	90682-CBA0310-0000	970880M	JOINT SPI 13.7 X 24 X 5
8	22053-CV00110-0009	970880G	RESSORT
9	22050-CV00110-0005	970880F	LEVIER D'EMBRAYAGE
10	11006-CE00110-0000	970880C	JOINT CARTER D'EMBRAYAGE
11	90019-0655-05		VIS M6X55
12	11012-CV00110-0005		PASSE CABLE

CARTER MOTEUR



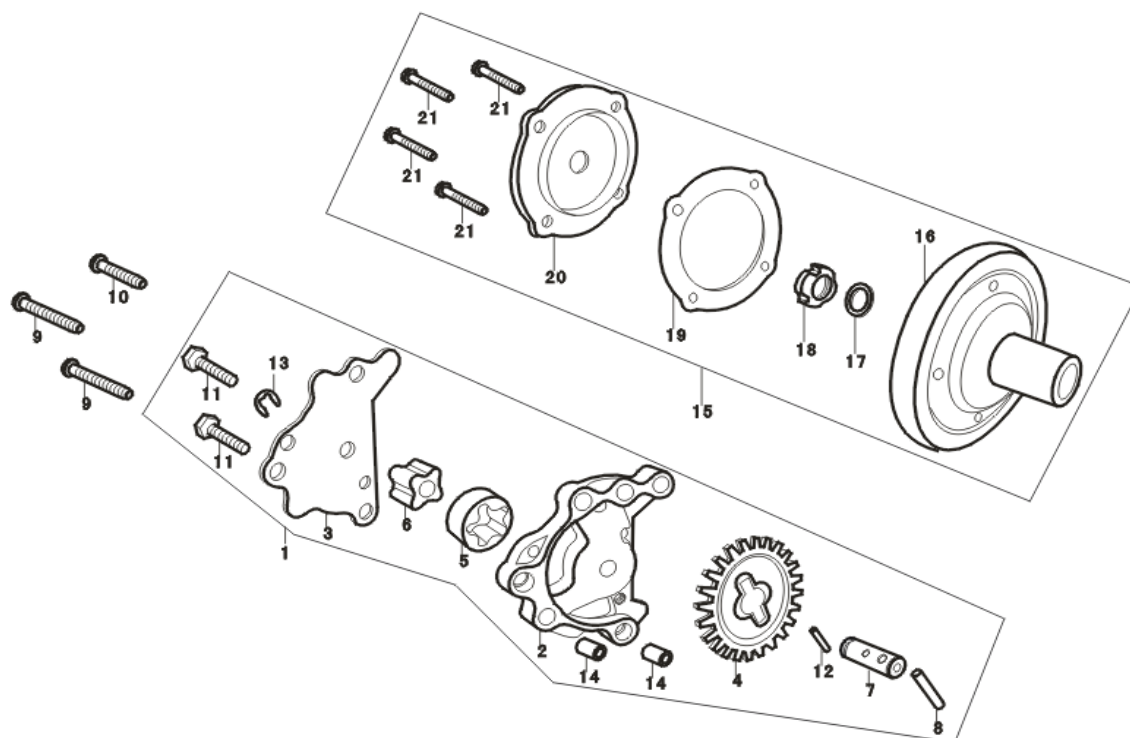
numero	Reference TNT motor	Reference acsud	Designation
2	11211-CV00110-0000	970882M	CARTER MOTEUR DROIT
4	90412-CBA0110-0001	970884	JOINT DE VIDANGE
5	14434-CBA0110-0005	970884B	BOUCHON DE VIDANGE
6	11015-CE00110-0006	970882Y	GOUGEON DE CYLINDRE M7X207
7	11014-CE00110-0006	970882Z	GOUGEON DE CYLINDRE M7X214
8	90685-CBA0110-0002	970882X	PASSAGE DE DURITE
9	90019-0660-05		VIS M6X60
10	90019-0650-05		VIS M6X50
11	90019-0640-05		VIS M6X40
12	90729-CBA0210-0000	970882W	DURITE MISE A L'AIR
13	11001-CE00110-0000	970882O	JOINT CARTER MOTEUR
14	11111-CV00110-0000	970882Q	CARTER MOTEUR GAUCHE

EMBRAYAGE



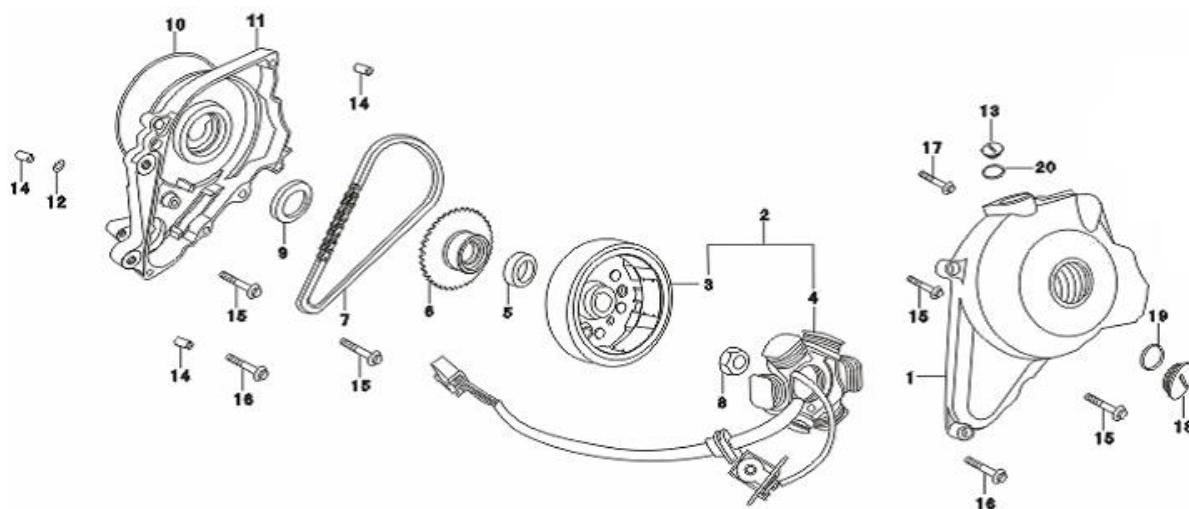
numero	Reference TNT motor	Reference acsud	Designation
1	06038-CV00110-0000	970910S	CLOCHE D'EMBRAYAGE COMPLETE 125cc
1		970882L	CLOCHE D'EMBRAYAGE COMPLETE 50cc
4			BEARING,CLUTCH COVER
5			LIFT PLATE
6			WASHER
7			SPRING
8			WASHER
9			CENTER PIECE
10	22105-CV00110-0000		DISQUE DE FRICTION
11	22106-CV00110-0000		DISQUE LISSE
12			CLAMP PLATE
13	22110-CV00110-0000		CLOCHE D'EMBRAYAGE NU
14	22001-CV00110-0000	970882B	PIGNON EMBRAYAGE
15			PLATE,OIL SEPARATOR
16			VIS M6X20

POMPE A HUILE



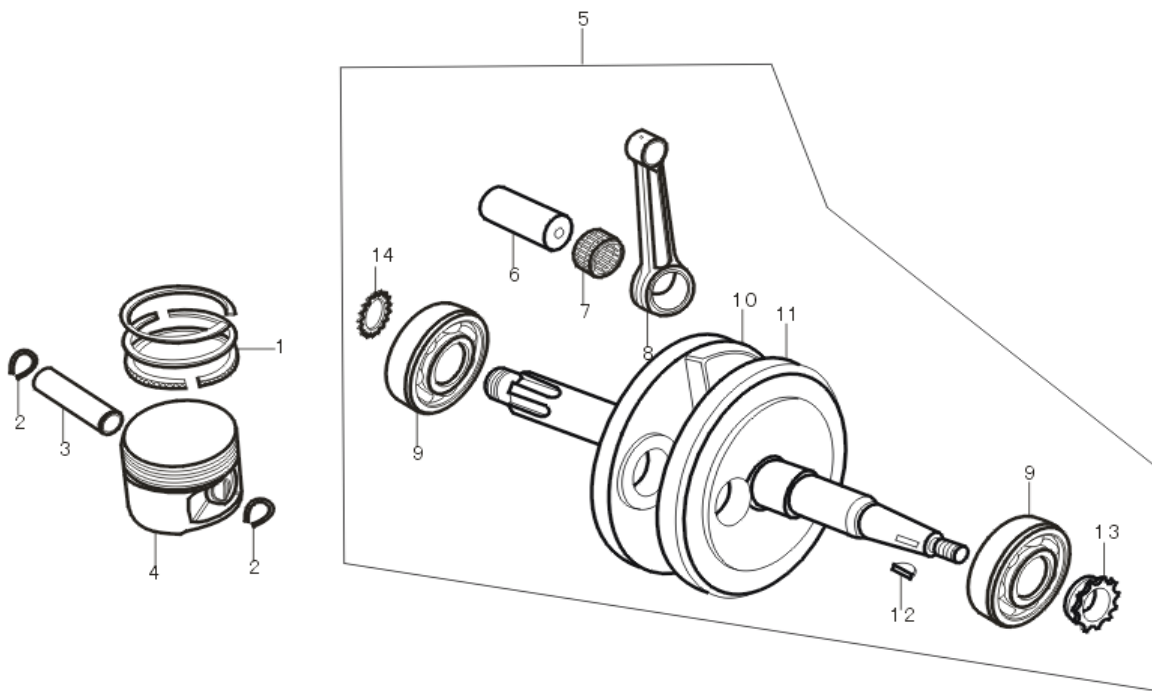
numero	Reference TNT motor	Reference acsud	Designation
1	15100-CV00110-0000	970882S	POMPE A HUILE COMPLETE
9	90104-0630-59		VIS M6X30
10	90104-0635-59		VIS M6X35
15	15220-CV00110-0000		FILTRE A HUILE COMPLET
16			SEAT, OIL FILTER
17			WASHER
18			NUT
19			GASKET, FINE OIL FILTER
20			COVER, FINE OIL FILTER
21			BOLT

STATOR



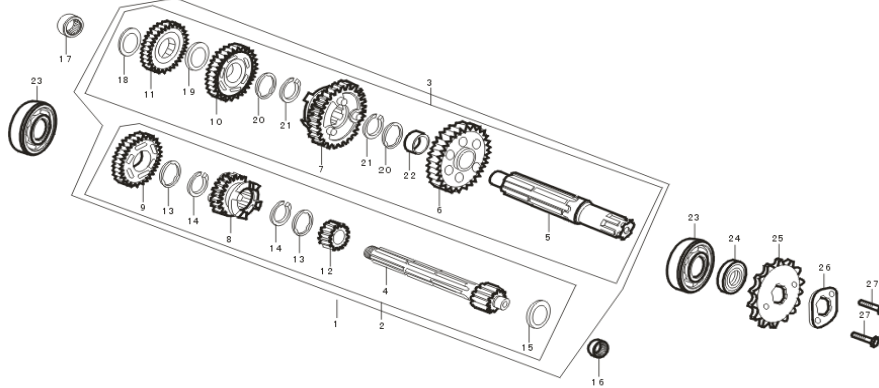
numero	Reference TNT motor	Reference acsud	Designation
1	11502-C6B0110-00W8	970876W	CARTER ALLUMAGE
2	30100-C6B0410-0000	970908G	ENSEMBLE STATOR ROTOR EFI EURO 4
3		970878T	ROTOR 50cc / 125cc EFI
4		970908G	STATOR + ROTOR 50 /125CC EFI 8 POLES
4		970913I	STATOR + ROTOR 50 /125CC EFI 12 POLES
5	90682-CBA0110-0000	970878X	JOINT SPI 18.9X30X5
6	28507-C6B0110-0000	970878R	PIGNON D'ENTRAINEMENT
7	90710-CBA0210-0000	970878O	CHAINE DE DEMARREUR
8	90305-CBA0110-0002		ECROU M10X1.25
9	90682-CBA0210-0000	970878W	JOINT SPI 30X42X4.5
12	90692-CBA0310-0000		JOINT
13	11521-CBA0110-0005	970878	BOUCHON DE VISITE
14	90502-0812-00		PION DE CENTRAGE
15	90019-0628-05		VIS M6X28
16	90019-0650-05		VIS M6X50
17	90019-0632-05		VIS M6X32
18	11514-CBA0210-0005	970878A	BOUCHON DE VISITE
19	90692-CBA0110-0000	970878C	JOINT DE BOUCHON DE VISITE
20	90692-CBA0410-0000	970878D	JOINT DE BOUCHON DE VISITE
		970889P	ARRACHE VOLANT

EMBIELLAGE



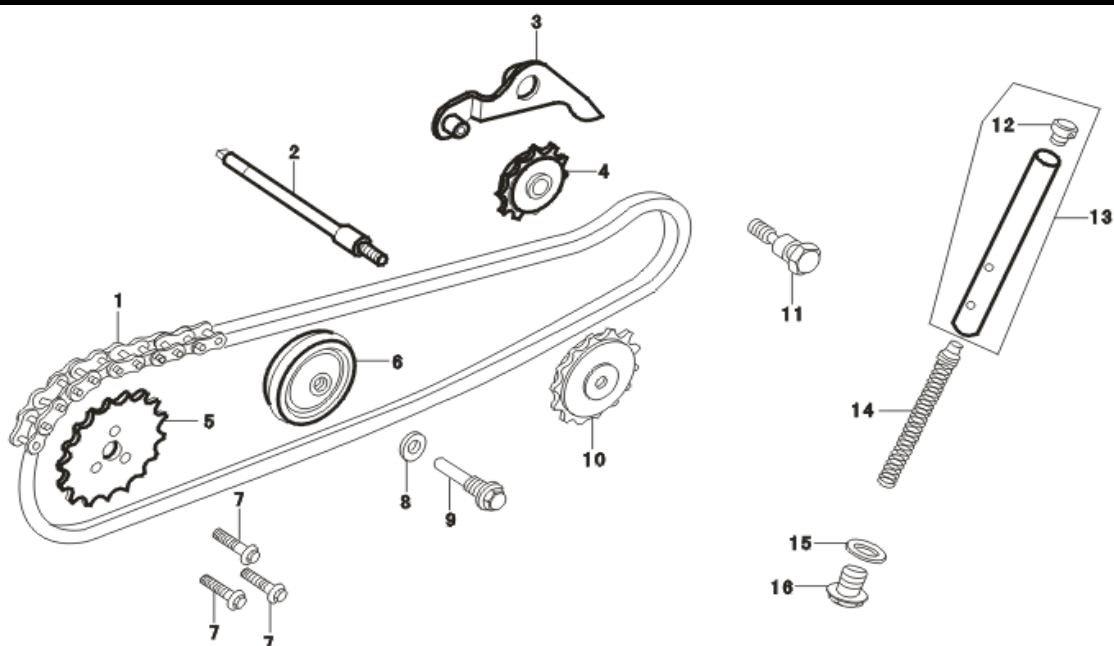
numero	Reference TNT motor	Reference acsud	Designation
1	13200-C600110-0000	970884H	JEU DE SEGMENTS
2	13122-CBA0110-0006	970884P	CIRCLIPS DE PISTON
3	13121-CE00110-0000	970884N	AXE DE PISTON
4	13111-CE00110-0000	970884L	PISTON
5	13300-CV00110-0000	970884J	EMBIELLAGE COMPLET 125cc
5			EMBIELLAGE COMPLET 50cc
12		970886	CLAVETTE DEMI LUNE

BOITE DE VITESSE



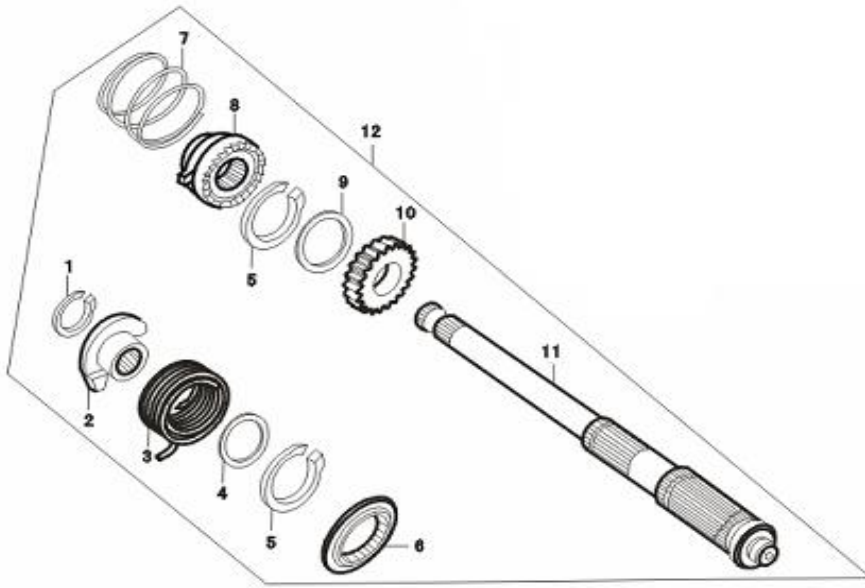
numero	Reference TNT motor	Reference acsud	Designation
1	06037-CV00110-0000	970910U	BOITE DE VITESSES COMPLETE 125cc
1		970886Q	BOITE DE VITESSES COMPLETE 50cc
16	90541-1228-00		ROULEMENT
17	90541-1207-00		ROULEMENT
23	90541-1712-00	970886P	ROULEMENT 6203
24	90682-CBA0510-0000	970886L	JOINT SPI 17 X 29 X 5
25	24022-CBA0510-A00C	970886F	PIGNON SORTIE DE BOITE 420X15 125cc

DISTRIBUTION



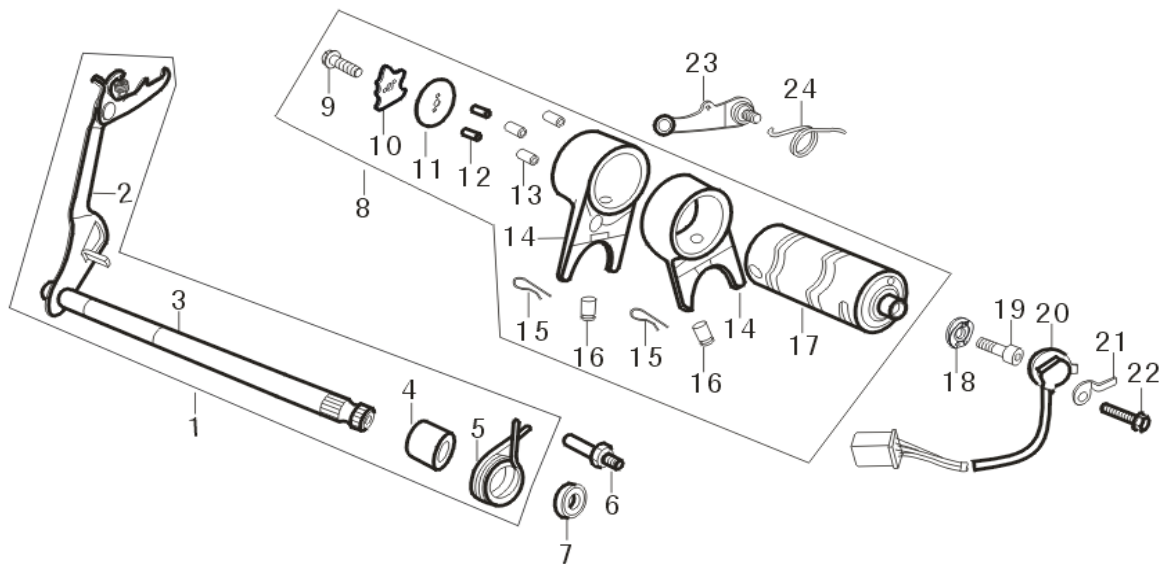
numero	Reference TNT motor	Reference acsud	Designation
1	90710-CE00210-0000		CHAINE DE DISTRIBUTION 125cc
1			CHAINE DE DISTRIBUTION 50cc
2	90102-CE00110-0006	970876H	AXE PIGNON DE CHAINE
3	14430-CBA0110-0000	970876I	LEVIER TENDEUR DE CHAINE
4	14405-CE00110-0000	970876J	PIGNON DE TENDEUR
5	14110-CE00110-0000	970876K	PIGNON D'ARBRE A CAME
6	14406-CE00110-0000	970876L	GUIDE CHAINE
7	90004-CBA0110-0006		VIS M5X12
8	90412-CBA0610-0000	970876N	RONDELLE 8MM
9	14407-CE00110-0005	970876O	AXE GUIDE CHAINE
10	14405-CE00110-0000	970876P	PIGNON D'ENTRAINEMENT POMPE HUILE
11	90403-0604-06	970876Q	AXE LEVIER TENDEUR DE CHAINE
12	14433-CBA0110-0006	970876R	TETE DE TIGE DE POUSSEE
13	14420-CBA0110-0000	970876S	GUIDE RESSORT TENDEUR DE CHAINE
14	90798-CBA0110-0006	970876T	RESSORT DE TENDEUR
15	90412-CBA0210-0001	970876U	RONDELLE TENDEUR
16	14434-CBA0110-0005	970876V	VIS TENDEUR M14X1.5

AXE DE KICK COMPLET



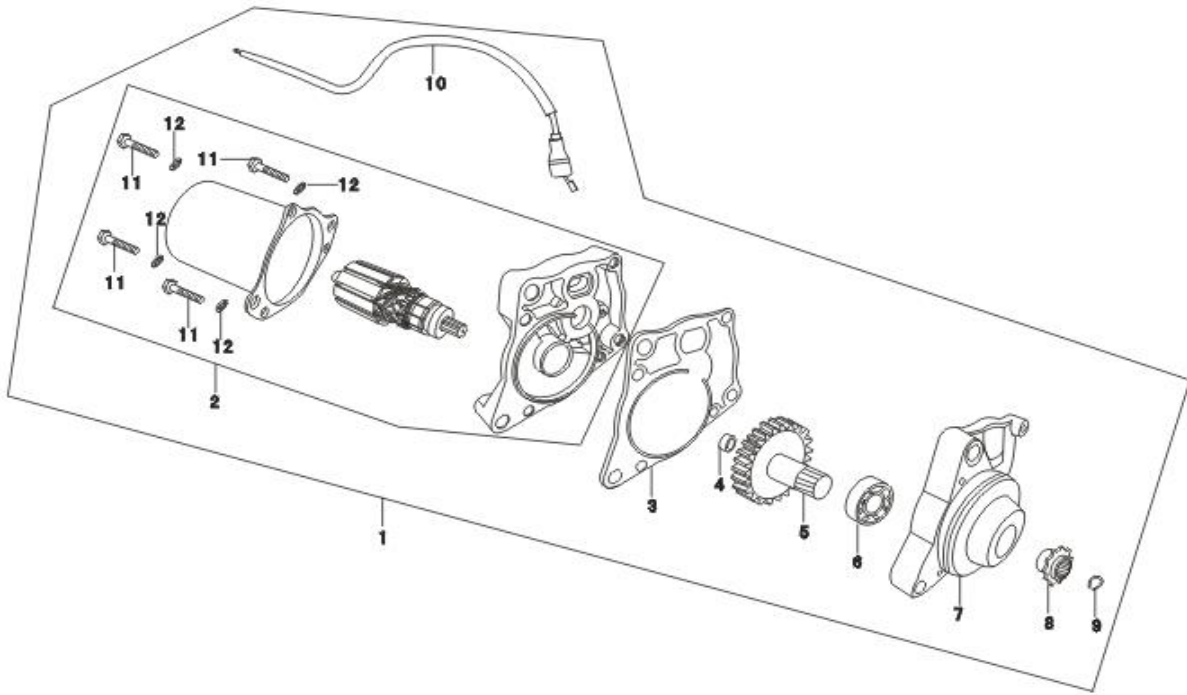
numero	Reference TNT motor	Reference acsud	Designation
12	28400-CV00110-0002	970888I	AXE DE KICK COMPLET

BARILLET DE SELECTION



numero	Reference TNT motor	Reference acsud	Designation
1	23100-C6B0110-0002	970888E	ENSEMBLE COMMANDE FOURCHETTES
1			
6	24045-CBA0110-0006		AXE
7	90682-CBA0410-0000		JOINT SPI 11.6X24X10
8	24400-CV00110-0000	970888C	BARILLET DE SELECTION COMPLET
19	90102-0616-06		VIS M6X16
20	30200-CBA0110-0000	970886U	CAPTEUR DE POINT MORT
22	90019-0612-02		VIS M6X12
23	24030-CJB0110-0000	970886S	PLAQUE DE VEROUILLAGE
24	22053-CV00110-0009	970886T	RESSORT DE RAPPEL

DEMARREUR



numero	Reference TNT motor	Reference acsud	Designation
1	f	970888J	DEMARREUR COMPLET
2		187203	DEMARREUR COMPLET ADAPTABLE